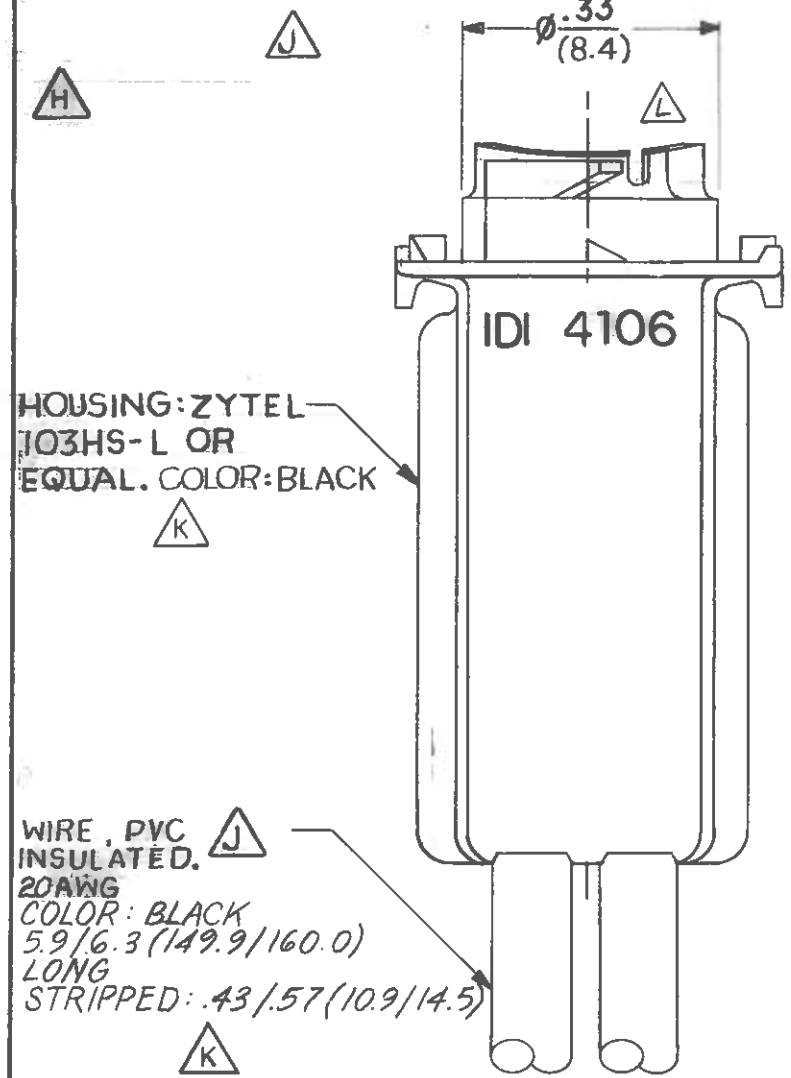
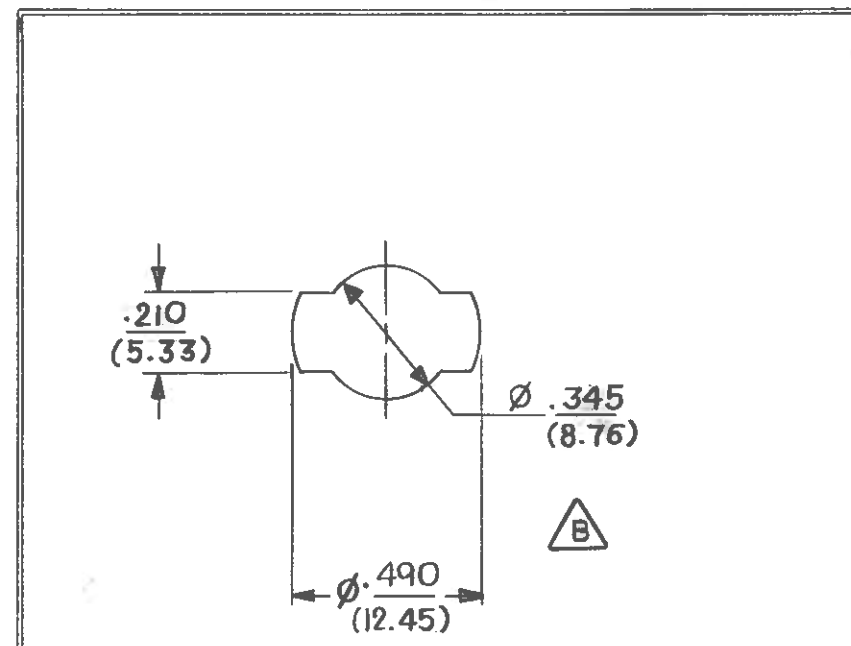
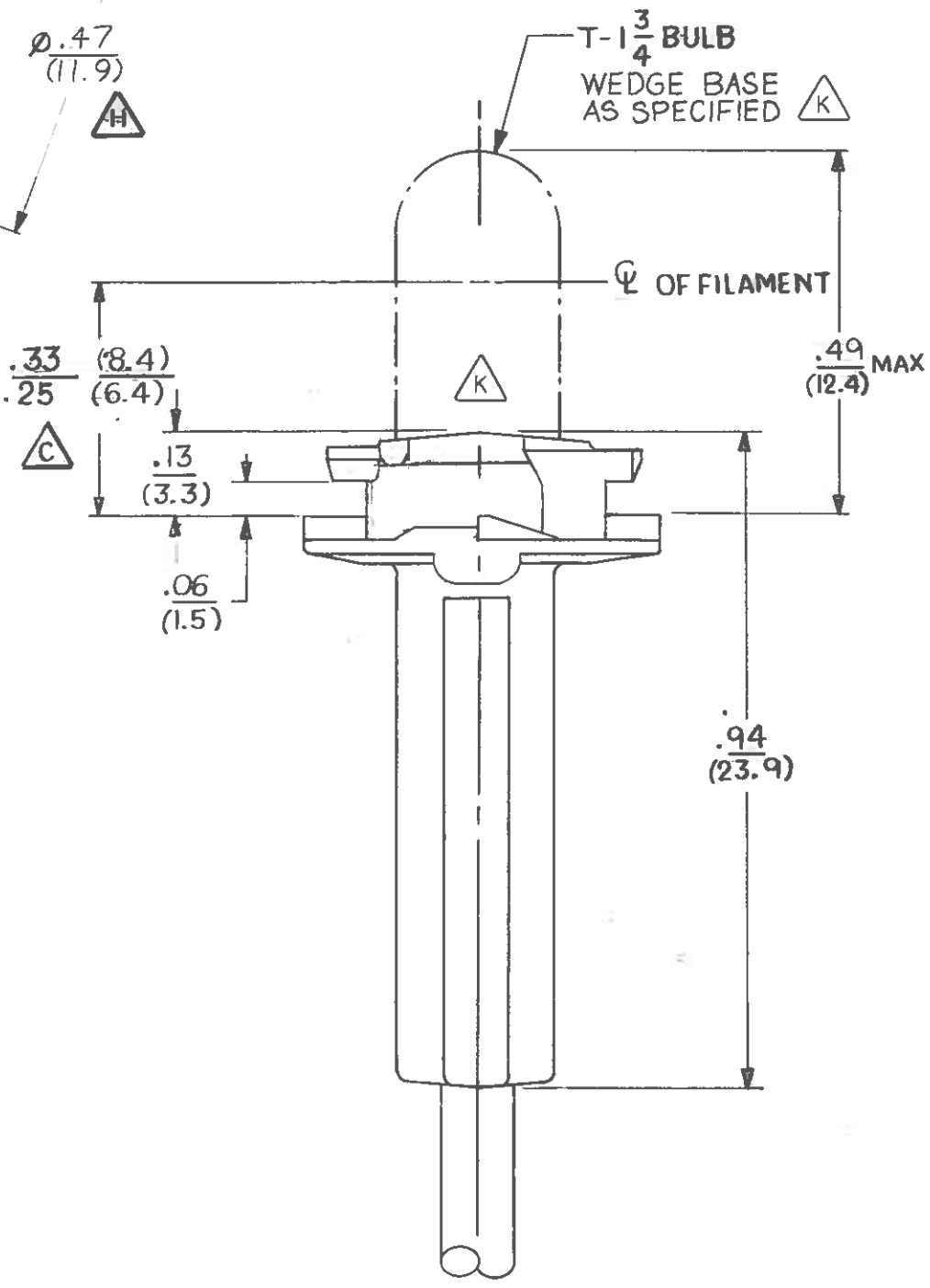


TERMINAL (2)
CA-688 BRASS 1/2 HARD
.010 (2.5) THK



HOUSING: ZYTEL
103HS-L OR
EQUAL. COLOR: BLACK

WIRE, PVC
INSULATED.
20AWG
COLOR: BLACK
5.9/6.3 (149.9/160.0)
LONG
STRIPPED: .43/.57 (10.9/14.5)



MOUNTING HOLE (2:1)

FOR REAR INSERTION IN .065 - .075
(1.65 - 1.91) THICK PANEL

REVISIONS	
A	NPN690. NEW RELEASE BAC 3-16-87
B	ECN2970. REMOVE MTG. HOLE SOLDER PAD BAC 6-18-87
C	ECN 3098 DIM. .33/.25 WAS .29 10-23-87 R.M.
D	ECN3218: ADD MTG. HOLE SCALE 2:1. BAC 4-5-88
E	ECN3321. ZYTEL 103HS-L WAS ZYTEL 101. BAC 10/7/88
F	ECN3355. REVISE PER ECN. BAC 12-13-88.
G	ECN 3375 CHANGED PANEL THK. PER ECN 1-9-89 R.M.
H	ECN3384. .47 (11.9) WAS .44 (11.2). ADD FORD SPEC NUMBERS TO TERMINAL AND HOUSING MAT'L. BAC 1-19-89
J	ECN 3480 REVISED PER ECN 5-18-89 R.M.
K	ECN 3504 REVISED PER ECN 6-5-89 JLB
L	ECR 4382 RAISED SLOT 7-9-90 E. Pinto
M	ECR 5351 ADDED .017 ± .050 ± .025 DIM J.R. 5-1-90

MODEL 4106 OUTLINE

INDUSTRIAL DEVICES, INC.
EDGEWATER, NEW JERSEY

DRAWN BY B. CHENEY
DATE MARCH 16, 1987
SCALE 4:1

CHECKED BY
B-9281

DIMENSION	UNLESS OTHERWISE SPECIFIED TOLERANCES ARE:
INCHES	FRACTIONAL ± .015, 2 PLACE DECIMAL ± .010, 3 PLACE DECIMAL ± .005
(MILLIMETERS)	(1 PLACE DECIMAL ± .3MM, 2 PLACE DECIMAL ± .13MM) ANGULAR ± 1/2°

125555